	Service Bulletin: Console Flashes "Safety Key Off"	
Prepared by: Maxwell Anderson	Date Prepared: 6/20/2022	Models Affected: 7.0AT-03 (TM765/TM1002C) 7.0AT-04 (TM1021)

### **PROBLEM**

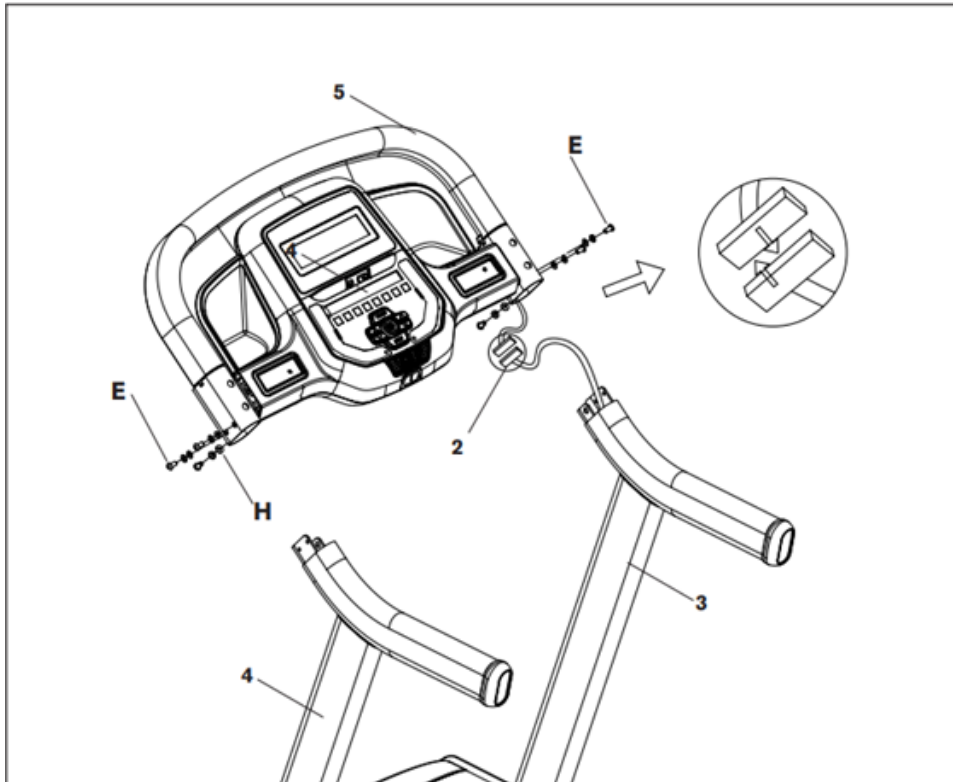
During assembly, the middle pin of the communication cable can become bent or damaged. Upon powering on the unit, "Safety Key Off" will intermittently flash on the screen.

### **REQUIRED TOOLS**

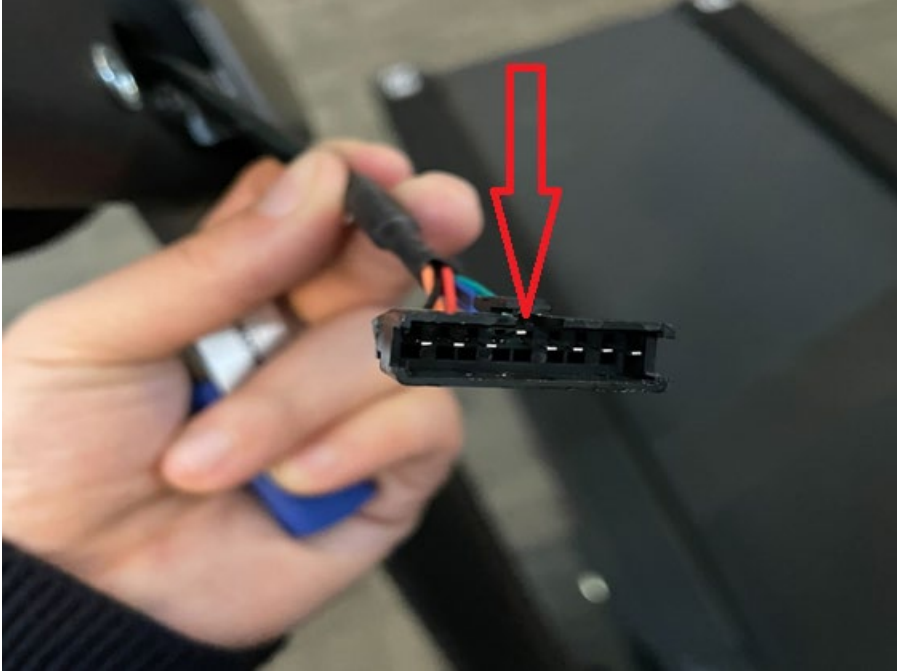
- Allen Wrench (provided with hardware)

### **SOLUTION**

1. Turn the unit off and disconnect it from the power source.
2. Remove the bolts (E) that connect the console (5) to the console masts (3, 4).



3. Stabilize the console as you remove the last bolt, so it does not fall. Carefully disconnect the communication cable (2) and remove the console.
4. Check the male end of the communication cable coming through the mast. If there is a bent pin, bend it back into place. If the communication cable is too damaged, you may need to replace the communication cable; a [how-to video](#) is available for this procedure.



5. With the communication cable pin back in place, reinstall the [console and communication cable](#).
6. Put the safety key into the console and [check that the problem is resolved](#).